

**Danger!**

- ▶ Unplug power cord before starting maintenance operation.

**Warning!**

Risk of hand injury !



- ▶ Wear protective gloves while handling the blades.

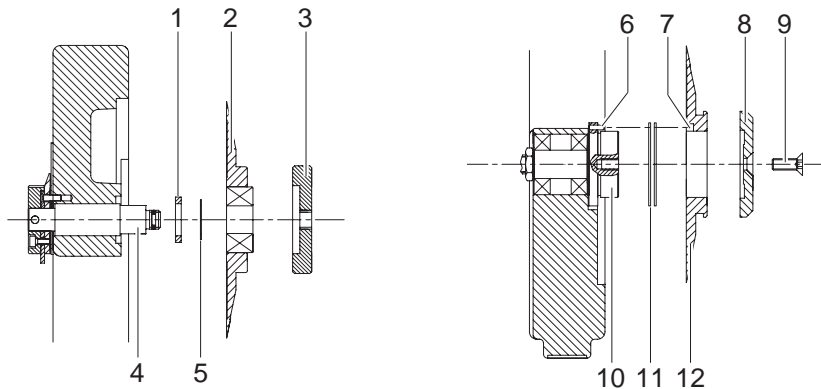


Fig. 9 Blade replacement

5.1 Replacement of the Upper Blade

Spare Part: 8930509.001 Circular Blade

1. Raise the upper blade to the Park position.
2. Loosen the knurled knob (7) completely from the blade shaft (4).
3. Remove the circular blade (2) from the blade shaft (4).
Do not lose the spacers (1,5) located on the blade shaft (4), between the blade (2) and the frame. Replace the spacers (1,5) if necessary.
4. Slide the replacement blade (2) onto the blade shaft as far as possible.
5. Put the knurled knob (3) onto the blade shaft.
6. Adjust the upper blade position ▷ 3.3 on page 8.
7. Adjust the stop of the upper blade ▷ 3.4 on page 9.

5.2 Replacement of the Lower Blade

Spare Part: 8933661.001 Circular Blade

1. Raise the upper blade to the Park position.
2. Unscrew the screw (9) from the shaft (10) and remove the clamping plate (8).
3. Remove the circular blade (12) from the shaft.
It will be found that between the blade and the housing, spacing washers (11) are located on the shaft. These should be left on the shaft, or replaced as necessary.
4. Slide the replacement blade (12) onto the blade shaft as far as possible. Ensuring that the cut-out (7) in the blade locates onto the key (6) on the blade shaft, slide the blade onto the shaft as far as possible.
5. Insert the screw (9) through the clamping plate (8) into the shaft.
6. Hold the blade (12) tight and tighten the screw (9).
7. Adjust the upper blade position ▷ 3.3 on page 8.
8. Adjust the stop of the upper blade ▷ 3.4 on page 9.